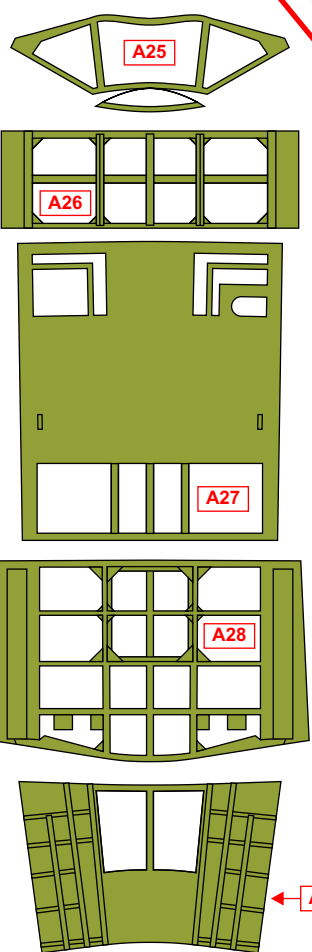
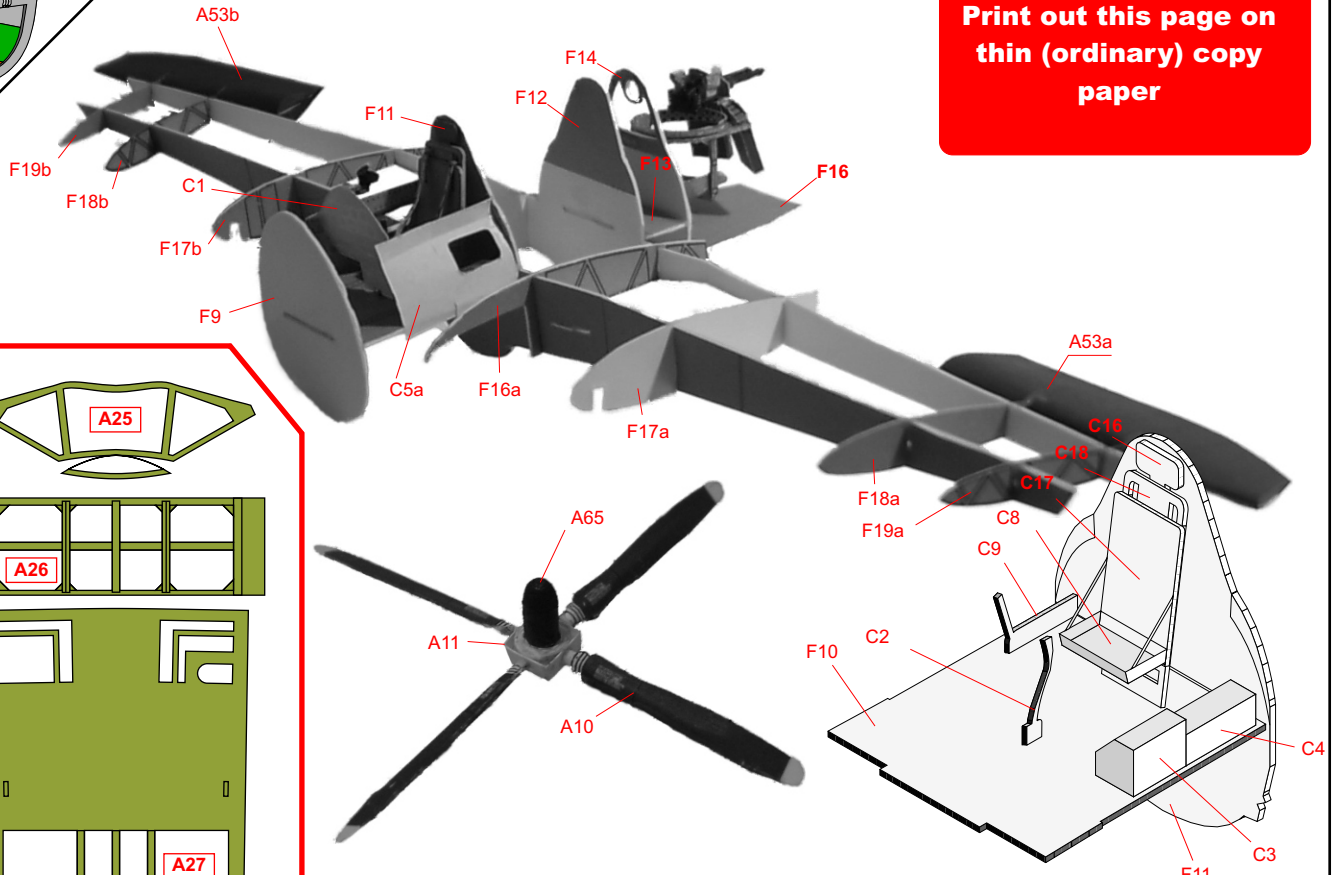


Print out this page on thin (ordinary) copy paper



Tabs and Back side of the elements from Page 4

Contour of the related elements and their IDs are given in red.

