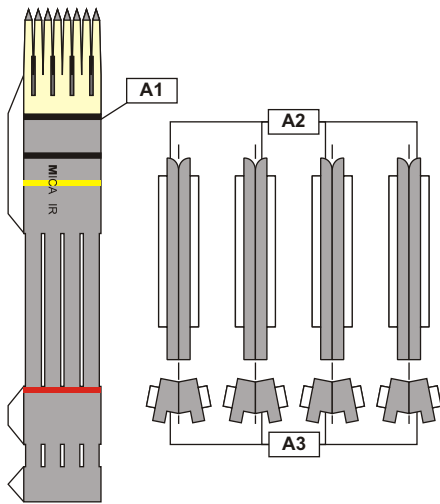
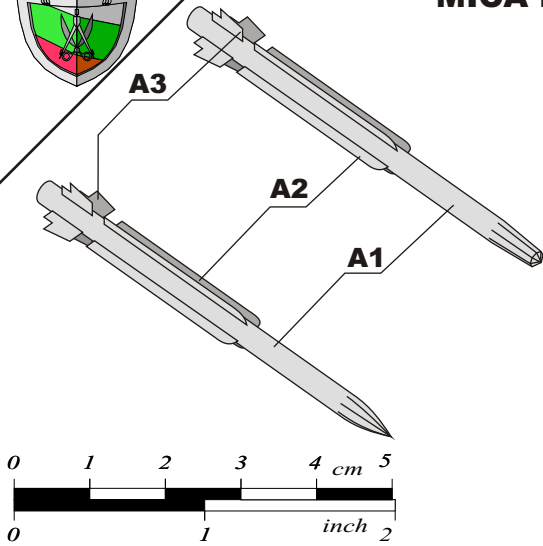
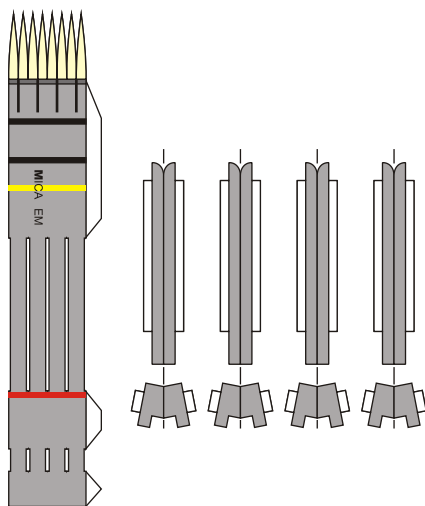
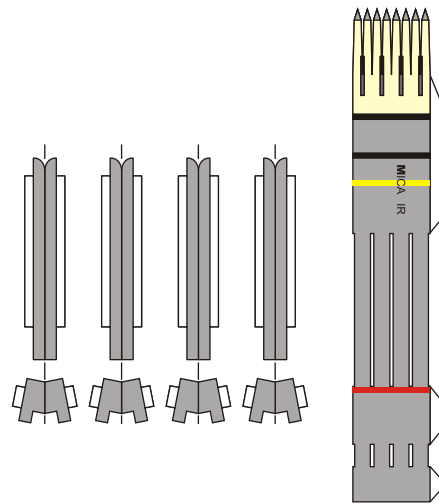


MICA EM/IR Multi-mission Air-to-Air Missile

Name	MICA
Country	France
Manufacturer	Matra
Date Deployed	1996
Range	27 nm 31.1 miles (50 km)
Speed	Mach 4
Propulsion	One SNPE solid-propellant rocket motor
Guidance	Inertial with ESD Actif 4A active/semi-active radar or SAT IR on final approach.
Warhead	Thomson Brandt blast/fragmentation 26.5 lb (12 kg)
Launch Weight	242.5 lb (110 kg)
Length	10 ft, 2.1 in (3.10 m)
Diameter	6 in (150 mm)
Fin Span	(0.56 m)



MICA IR



MICA EM

