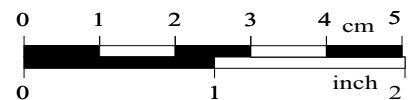
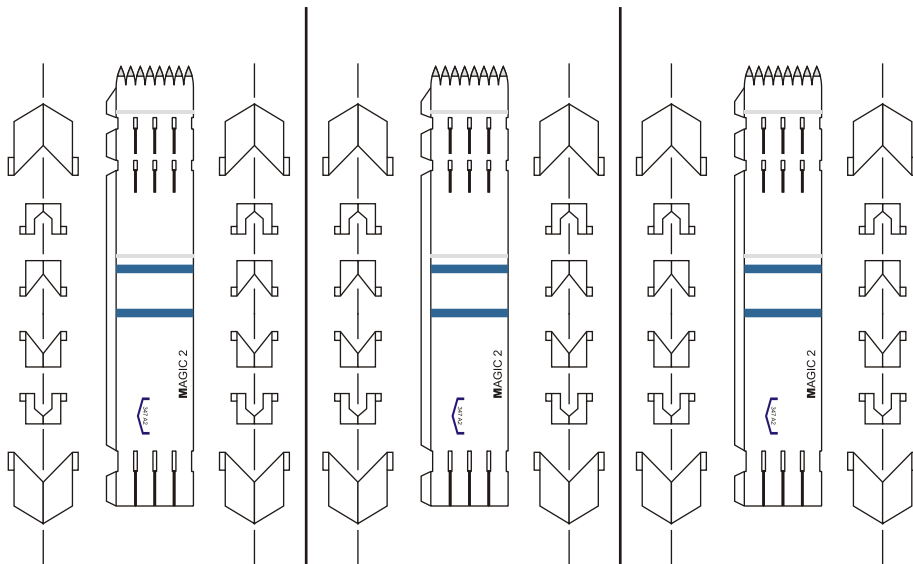
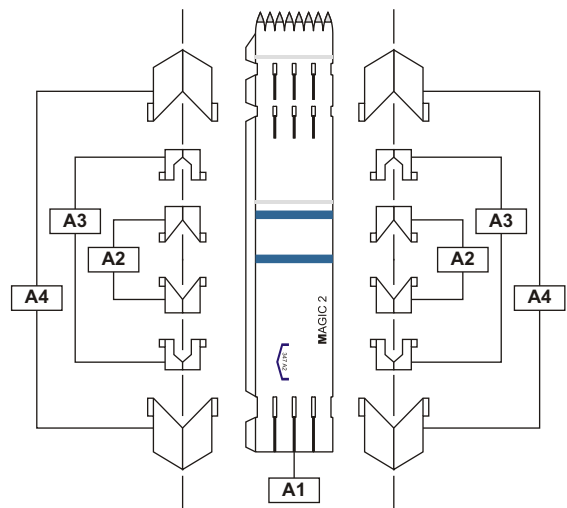
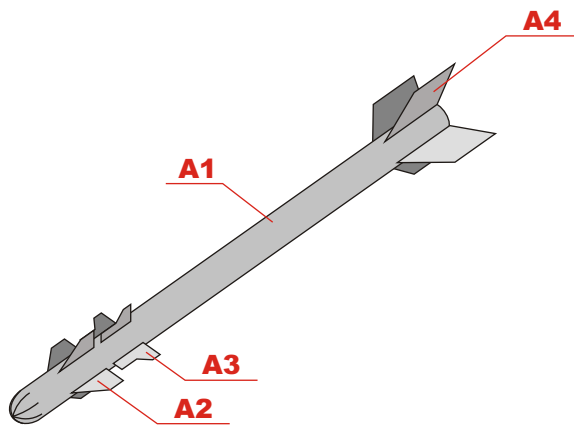


R.550 Magic 2 Missile

Name	R.550 Magic 2
Major operational capabilities	All-directions missile
Country	France
Manufacturer	Matra
Date Deployed	1988
Range	8 miles
Speed	Mach 2.7 / 500 m/s in addition to carrier's speed
Propellant	Solid propellant
Propulsion time	2.2 s
Warhead	HE blast fragmentation
Payload	12.5 kg (fragmentation)
Weight	196 lbs / 89 kg
Length	2.75 m
Diameter	0.16 m
Fuze	radio frequency (RF) proximity



R.550 Magic 2

Scale 1:48